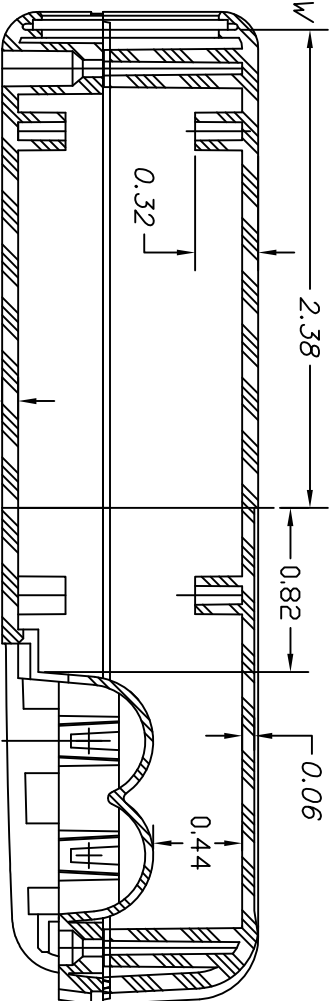
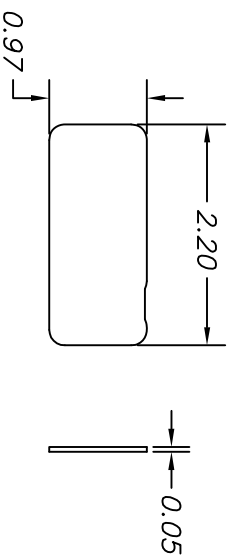
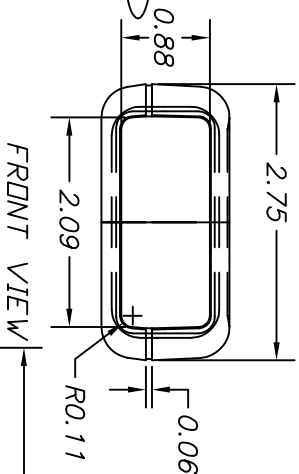
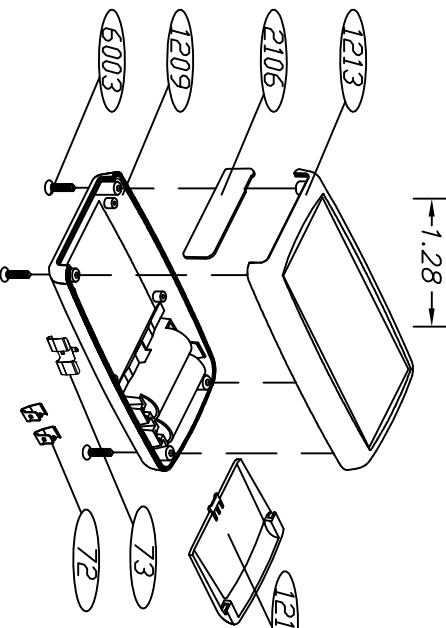
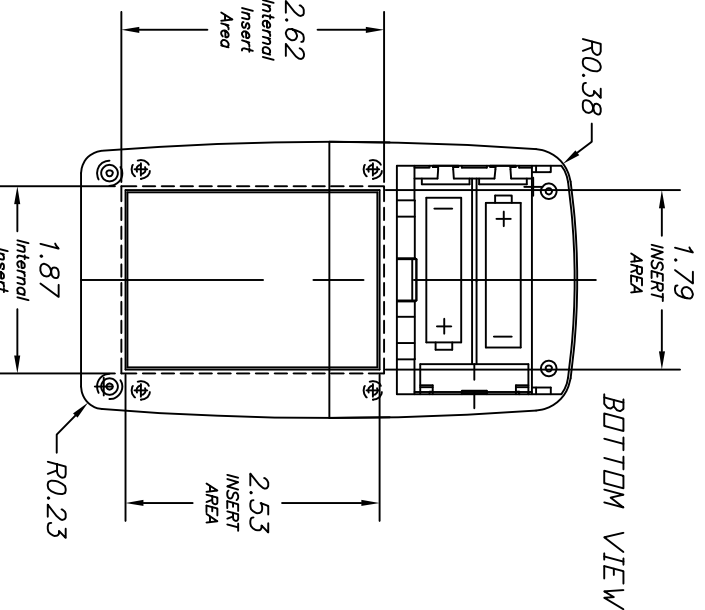
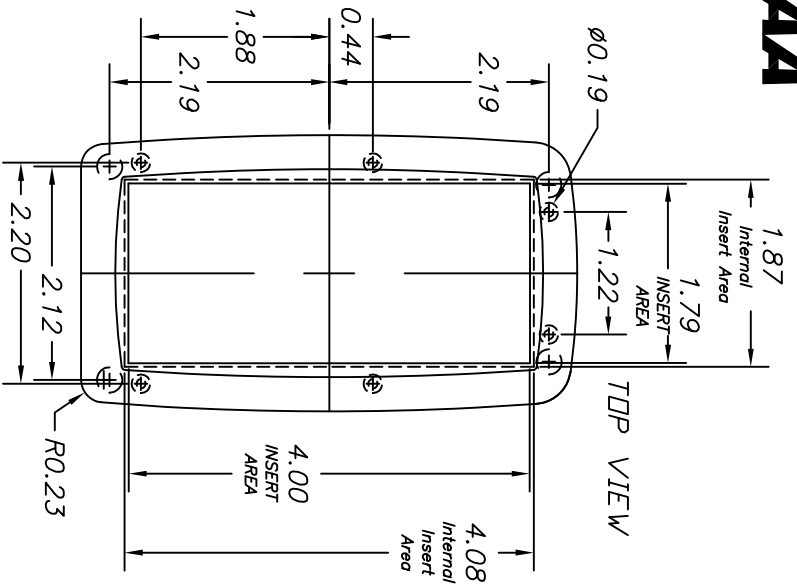
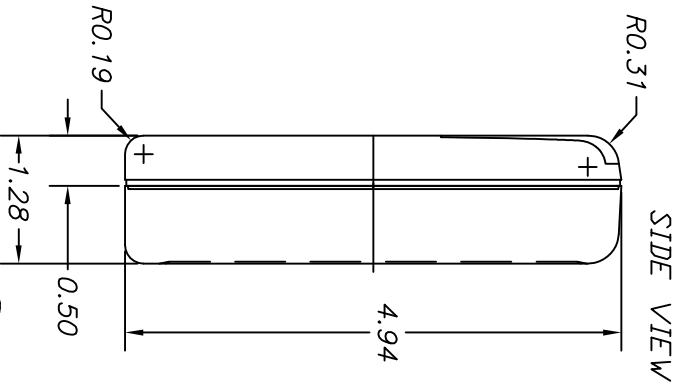


SEPPAC H-67,AA

Electronics Enclosures

NOTES:
1. WHEN MACHINE OR I PLATES MODIFICATIONS ARE REQUIRED, USE THE CENTER OF THE BOX TO DIMENSION.



8/04/2008

ALL DIMENSIONS ±.010

PART NO.	DESCRIPTION	PART NO.	ACCESSORIES
1213	PLASTIC TOP	2106CL	CLEAR PANEL
2106	PLASTIC END PANEL	2106IR	INFRARED PANEL
1209	PLASTIC BOTTOM (AA)	2106R	TRANSPARENT RED PANEL
6003	SCREW (4)		
72	BATTERY CONTACT (single)		
1212	PLASTIC BATTERY COVER		
73	BATTERY CONTACT (double)		